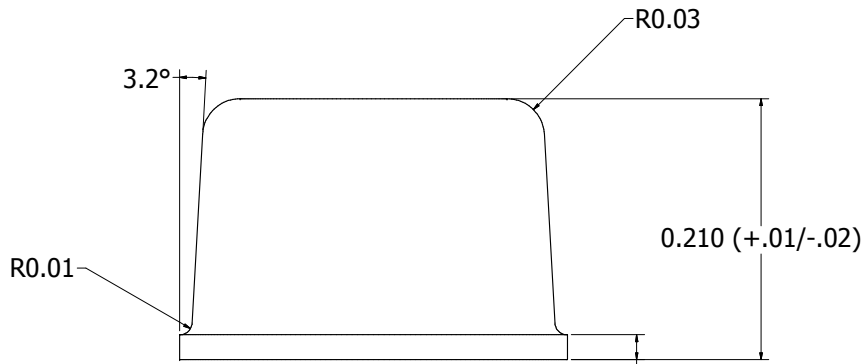
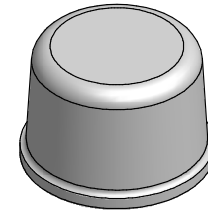


Ø0.312 (+/- .010)
DIE CUT



0.020 - THIS DIMENSION INCLUDES
SCREED AND ADHESIVE.
IT DOES NOT INCLUDE LINER

8 X 18 LAYOUT
.428 X .428 OFFSET

ACCESS LEVEL	451	218				DESIGN REFERENCE	NEXT ASSEMBLY
REV	A	PROJECT ID	3/1/2006	DATE		DESCRIPTION	KEM
DRWN	80Ppczz	DATE	3/1/2006	DATE		APPROV	DATE
CHKD		DATE		DATE			
IATD		SCALE		TOLERANCES EXCEPT AS NOTED		 3M COMPANY ST. PAUL, MN 55144 © 2005 This document is the property of 3M Company. All rights reserved.	
DO NOT SCALE DRAWING	NONE	INCHES	0 ±	MILLIMETERS	0 ±	TITLE	
			.000 ±		.000 ±	SJ61A11	
			.000 ±		.000 ±	CUSTOM MAKER	
			.000 ±		.000 ±	FAIRMONT	
			.000 ±		.000 ±	BLOG. NO.	
			.000 ±		.000 ±	0001	
			.000 ±		.000 ±	DRAWING NUMBER	
			.000 ±		.000 ±	12-2907-5750-4	
			.000 ±		.000 ±	SHEET 1 OF 1	
			.000 ±		.000 ±	USA	